

4

3

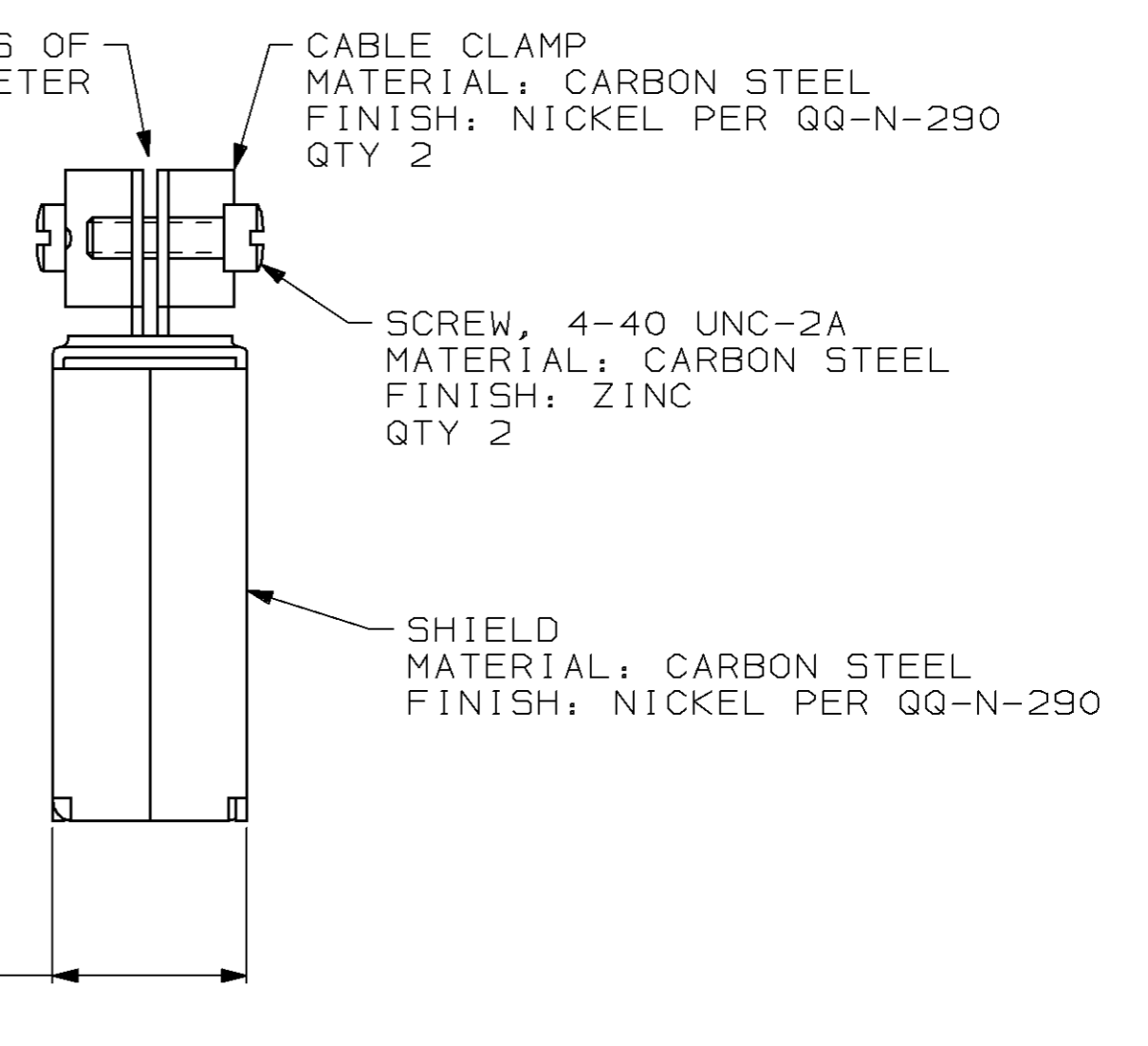
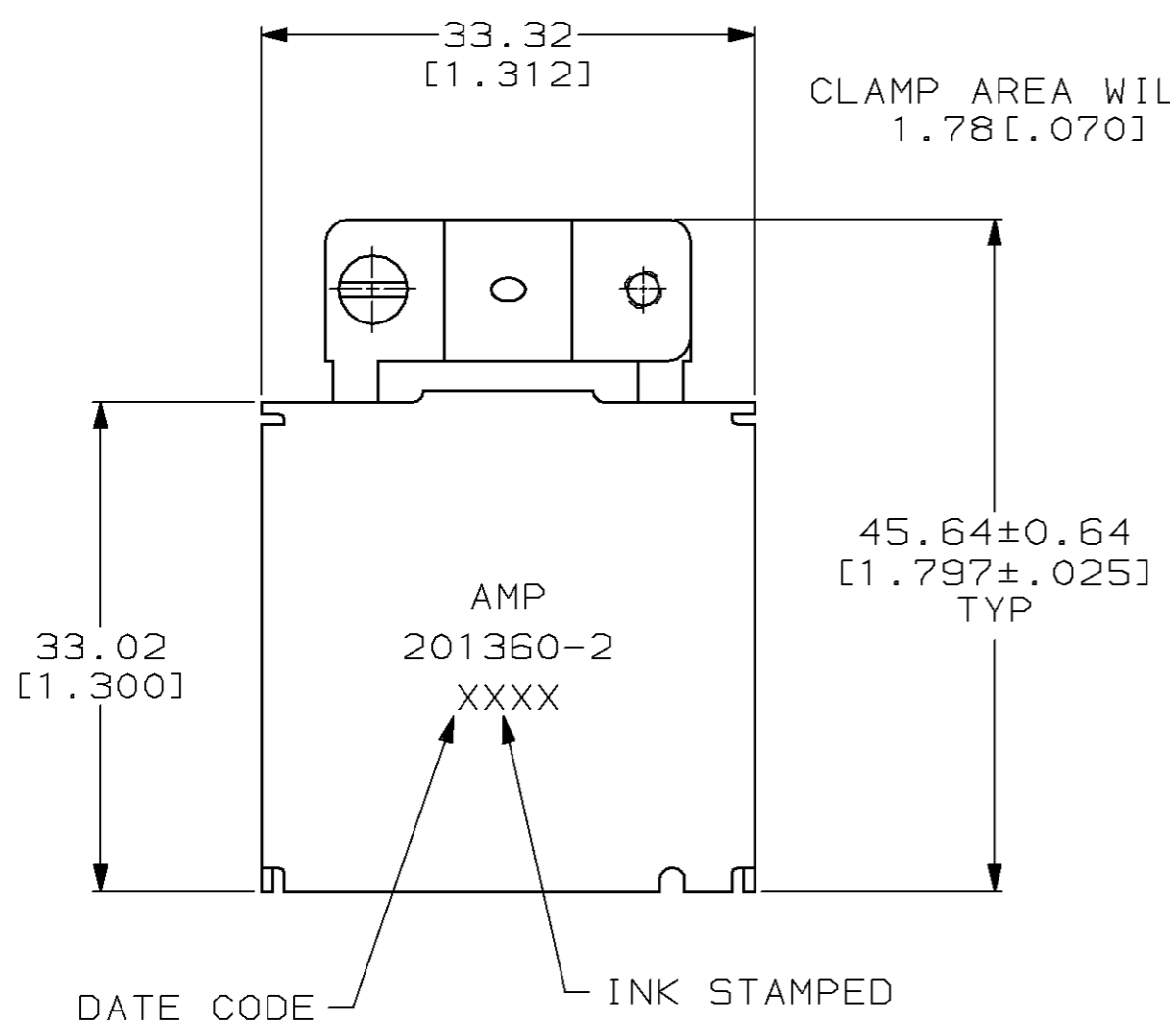
2

1

THIS DRAWING IS UNPUBLISHED. RELEASED FOR PUBLICATION, 19 .

© COPYRIGHT 19 BY AMP INCORPORATED. ALL RIGHTS RESERVED.

LOC	DIST	REVISIONS			
P	LTR	DESCRIPTION	DATE	DWN	APVD
BD	36	M	REDRAW ON CAD EC 0020-1108-95	25 SEP 95	-



201360-2

PART NUMBER

THIS DRAWING IS A CONTROLLED DOCUMENT FOR AMP INCORPORATED. IT IS SUBJECT TO CHANGE AND THE CONTROLLING ENGINEERING ORGANIZATION SHOULD BE CONTACTED FOR THE LATEST REVISION.		DWN C. OBERMAN 25 SEP 95	<b>AMP</b> AMP Incorporated Harrisburg, PA 17105-3608
DIMENSIONS: mm [INCHES]		CHK R. STONE 25 SEP 95	
TOLERANCES UNLESS OTHERWISE SPECIFIED:		APVD G. A. STEINHAUER 05 NOV 95	NAME SHIELD KIT, UNASSEMBLED, SHORT 14 POSITION, M SERIES
0 PLC ±-		PRODUCT SPEC	SIZE A3
1 PLC ±-		APPLICATION SPEC	CAGE CODE 00779
2 PLC ±0.38 [.015]		WEIGHT	DRAWING NO C-201360
3 PLC ±-		CUSTOMER DRAWING	SCALE 2:1
4 PLC ±-			SHEET 1 OF 1
ANGLES ±-			REV M
MATERIAL SEE CALLOUTS	FINISH SEE CALLOUTS		